



UNI-FLO MULTI RANGE COUPLINGS



DIMENSIONS

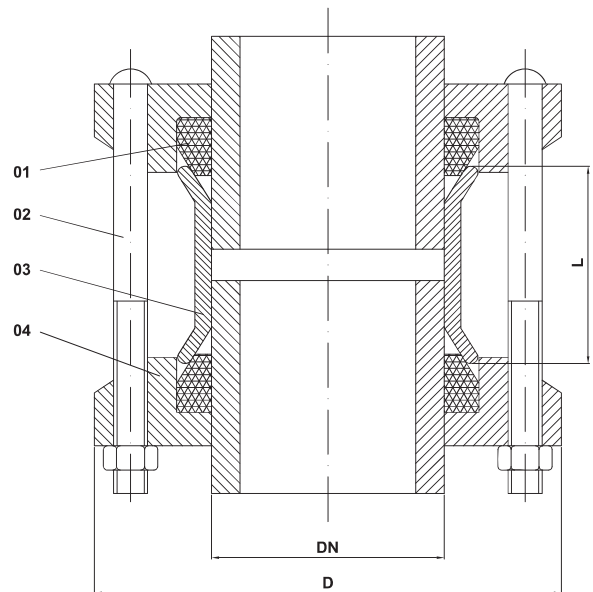
DN (mm)	CODE	RANGE	D	L	BOLTS
DN40	MRC 0040	48-58	147	101	M12 X 180 X 2
DN50	MRC 0050	59-73	156	103	M12 X 180 X 2
DN65	MRC 0065	72-85	173	103	M12 X 180 X 2
DN80	MRC 0080	88-103	188	101	M12 X 180 X 4
DN100	MRC 0100	98-119	202	103	M12 X 190 X 4
DN100	MRC 0100-2	108-128	214	101	M12 X 190 X 4
DN125	MRC 0125	132-146	248	104	M12 X 200 X 4
DN150	MRC 0150	150-170	276	105	M12 X 200 X 4
DN150	MRC 0150-2	158-181	274	106	M12 X 200 X 4
DN200	MRC 0175	192-209	302	131	M12 X 220 X 4
DN200	MRC 0200	218-235	325	132	M12 X 220 X 4
DN250	MRC 0225-2	250-267	368	129	M12 X 220 X 6
DN250	MRC 0225-3	265-280	383	132	M12 X 230 X 6
DN250	MRC 0250	272-289	389	130	M12 X 220 X 6
DN300	MRC 0300	302-319	421	130	M12 X 220 X 6
DN300	MRC 0300-2	315-332	436	130	M12 X 230 X 6
DN300	MRC 0300-3	332-349	452	132	M12 X 220 X 6
DN350	MRC 0350	340-360	518	150	M16 X 260 X 8
DN350	MRC 0350-2	351-378	518	150	M16 X 260 X 8
DN350	MRC 0350-3	374-391	523	150	M16 X 260 X 8
DN400	MRC 0400-2	400-429	572	150	M16 X 260 X 8
DN400	MRC 0400-3	417-437	570	150	M16 X 260 X 8
DN400	MRC 0400-4	425-442	572	150	M16 X 260 X 8
DN450	MRC 0450-2	455-472	610	150	M16 X 260 X 10
DN450	MRC 0450-3	476-493	610	150	M16 X 260 X 10
DN500	MRC 0500-2	500-532	670	150	M16 X 260 X 10
DN500	MRC 0500-4	527-544	685	150	M16 X 260 X 10
DN600	MRC 0600-2	600-630	781	150	M16 X 260 X 10
DN600	MRC 0600-3	630-647	788	150	M16 X 260 X 10

FEATURES

- Designed to connect plain ended pipes with different outside diameters
- Connect to a wide variety of pipe including PVC, HDPE, steel, ductile iron, GRP and asbestos cement pipe.
- Working pressure PN 10/16
- Temperature range -10°C to 70°C
- Angular deflection of +/- 4°
- Corrosion resistant construction
- Coating En30677
- WRAS approved
- Suitable for potable water, neutral liquids, and sewage

OPTIONS

- Stainless steel Dacromet bolts
- NBR seats



PARTS LIST

ITEM	PART	MATERIAL
01	Gasket	EPDM
02	Fastener	GD 4.8
03	Sleeve	Steel
04	End Ring	SG Iron BS 420/12