

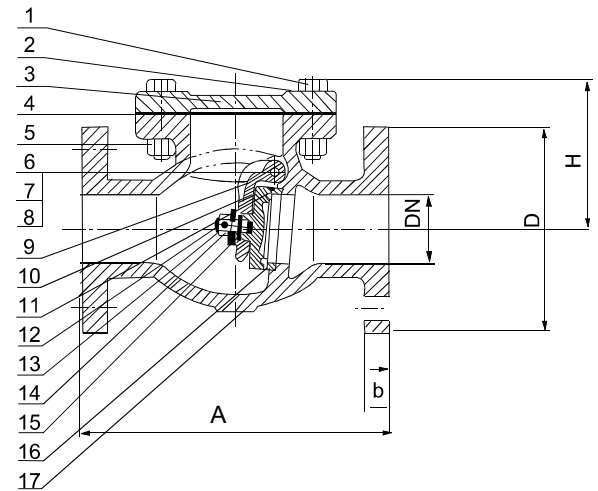


# UNI-FLO CAST IRON SWING CHECK VALVE FIG 401A



## DESCRIPTION

- Designed and manufactured to BS5153
- Flange dimensions conform to BS4504 PN10/16
- Face to face dimensions conform to BS EN558-1 series 10
- Tested in accordance with BS6755
- On request, the valve can be with external lever and counter weight (L.W.)



## MATERIALS LIST

NO.	PART	MATERIAL	STANDARD
1	Bolt	Steel	BS 970 43A
2	Identification Plate	Aluminium	
3	Bonnet	Cast Iron	BS 1452 Gr220
4	Body Gasket	Graphite	
5	Nut	Steel	BS 970 43A
6	Side Plug	Brass	BS 2874 CZ122
7	Gasket	Fiber	
8	Hanger Pin	Brass	BS 2874 CZ122
9	Hanger	Ductile Iron	BS 2789 Gr420-12
10	Disc	Cast Iron	BS 1452 Gr220
11	Disc Ring	Cast Bronze	BS 1400 LG2
12	Washer	Steel	BS 970 43A
13	Split Pin	Stainless Steel	BS 970 420S37
14	Disc Nut	Steel	BS 970 43A
15	Stud Bolt	Steel	BS 970 43A
16	Seat Ring	Cast Bronze	BS 1400 LG2
17	Body	Cast Iron	BS 1400 Gr220

## DIMENSIONS

DN	A	D	b	H
50	203	165	20	112.2
65	216	185	20	132.5
80	241	200	22	141.5
100	292	220	24	163
125	330	250	26	197
150	356	285	26	212
200	495	340	30	257
250	622	405	32	298.5
300	698	460	32	330.5
350	787	520	36	364
400	914	580	38	420
450	965	640	40	618
500	1067	715	42	622
600	1219	840	48	764

\* Flange dimensions can be as BS10 TABLE D/E