



SANS PAR

CAPE TOWN
Tel: 021-5110283 - Email: info@sanspar.co.za
JOHANNESBURG
Tel: 011-3976889 - Email: jhb@sanspar.co.za
DURBAN
Tel: 031-7002485 - Email: kzn@sanspar.co.za

UNI-FLO QM KNIFE GATE VALVE



HEAVY DUTY BI-DIRECTIONAL KNIFE GATE VALVE

Size Range:	DN50 - DN600
Pressure Rating:	DN50 - DN200 16bar DN250 - DN600 10bar
Flange Connection:	Wafer / semi lugged
Body Material:	WCB (CF8 & CF8M available on request)
Gate Material:	304 (316 & 2205 available on request)
Moulded Seal & Body Seal:	EPDM (other grades available on request)
Yoke Material:	FBE coated mild steel (304 & 316 available on request)
Flanges:	DIN T10 (other drillings available on request)

FEATURES

- Bi-directional sealing
- No groove or cavity in the bore of the valve where slurry can collect
- Fully moulded and reinforced body seal. The rigidity of the seal prevents creep of the seal when the valve is opened or closed, reducing the torque to open and close the valve
- Precision machining of the stuffing box cavity that reduces the force required to seal the valve which reduces the opening and closing torques
- Arched PTFE scrapers across the width of the blade
- 16bar pressure rating for valves from DN50 to DN200 and 10bar for valves from DN250 to DN600
- Full bore unrestricted flow
- Self-cleaning flushout corners that prevents deposit build up in the sealing area

SPECIFICATION

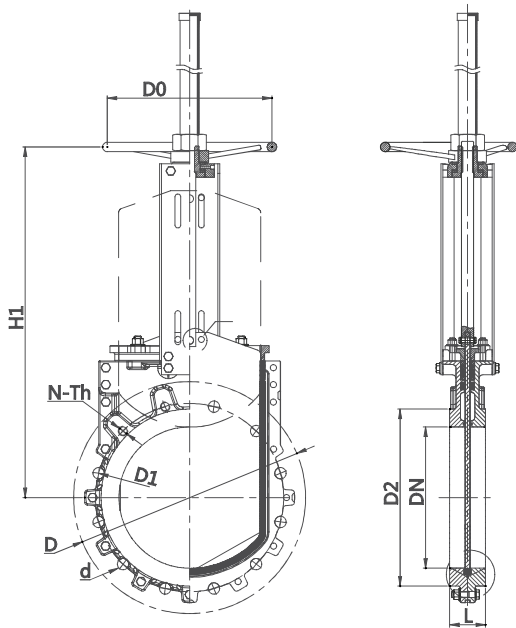
The valve will consist of a semi-lugged wafer type two-piece body. The valve must seal at maximum operating pressure in the direction of flow and the reverse direction. The body seal must be a fully moulded, reinforced rigid rubber construction that is mechanically retained between the two body halves. The valve must seal to atmosphere in the open position utilising an adjustable stuffing box. The valve design must allow for full bore unrestricted flow. The seat area must contain flush-out corners with no cavities where sediment can collect. The valve must be fitted with arched PTFE scrapers covering the width of the gate on both body halves



SANS PAR

CAPE TOWN
Tel: 021-5110283 - Email: info@sanspar.co.za
JOHANNESBURG
Tel: 011-3976889 - Email: jhb@sanspar.co.za
DURBAN
Tel: 031-7002485 - Email: kzn@sanspar.co.za

UNI-FLO QM KNIFE GATE VALVE



DIMENSIONS

DN	L	D	D1	D2	D0	N-Th	d	H1
50	48	165	125	99	180	4-M16	Ø18	265
80	51	200	160	132	200	8-M16	Ø18	330
100	51	220	180	156	240	8-M16	Ø18	360
125	57	250	210	184	260	8-M16	Ø18	400
150	57	285	240	211	280	8-M16	Ø23	450
200	70	340	295	266	300	8-M16	Ø23	530
250	70	395	350	319	320	12-M20	Ø23	595
300	76	445	400	370	350	12-M20	Ø23	660
350	76	505	460	429	400	16-M20	Ø23	760
400	89	565	515	480	450	16-M24	Ø27	850
450	89	615	565	530	500	20-M24	Ø27	940
500	114	670	620	582	500	20-M24	Ø27	1050
550	114	725	680	638	-	20-M27	Ø30	Gear
600	114	780	725	682	-	20-M27	Ø30	Gear

PARTS LIST

	DESCRIPTION	MATERIAL
1	Hand wheel	Ductile Iron
2	Handle Bracket	Ductile Iron
3	Bearing	GCr15
4	Yoke	FBE coated mild steel
5	Bolt & Nut	Fe+Zn
6	Packing Gland	Ductile Iron
7	Gate	SS304
8	Body	WCB
9	Bolt	SS304
10	Seat	EPDM
11	Body Sealing	EPDM
12	Scraper	PTFE
13	Packing	PTFE+EPDM
14	Stem	SS420
15	Stem Nut	Brass

