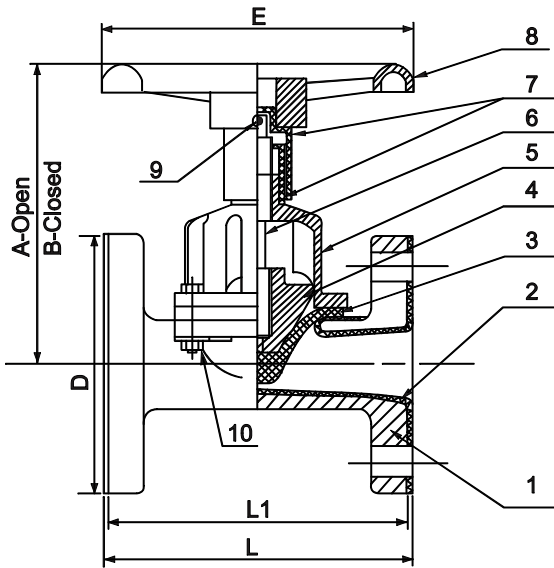




# UNI-FLO STRAIGHT THROUGH RUBBER LINED DIAPHRAGM VALVE FIG DV



## MATERIALS LIST

NO.	PART	MATERIAL	STANDARD	QUANTITY
1	Body	Cast Iron	GG25	1
2	Body Lined	Natural rubber		1
3	Diaphragm	Natural rubber		1
4	Valve Clack	Cast Iron	GG25	1
5	Bonnet	Cast Iron	GG25	1
6	Stem	Stainless Steel	304SS	1
7	Bush	Plastic		2
8	Handwheel	Ductile Iron	GGG40	1
9	Pin	Carbon Steel		1
10	Bolt	Stainless Steel	304SS	4

## DESCRIPTION

1. Design and manufacture conform to BS5156
2. Flange dimensions conform to BS4504 PN10
3. Working Pressure: DN50-DN100 1.0Mpa  
DN125-DN150 0.6Mpa  
DN200-DN300 0.35Mpa

## DIMENSIONS

DN	L	L1	A	B	D	E
50	194	188	197	177	165	160
80	263	252	276	242	198	252
100	309	301	304	272	220	251
150	412	404	407	365	283	400
200	527	518	609	561	335	400
250	640	630	799	720	400	500
300	755	735	907	820	460	630