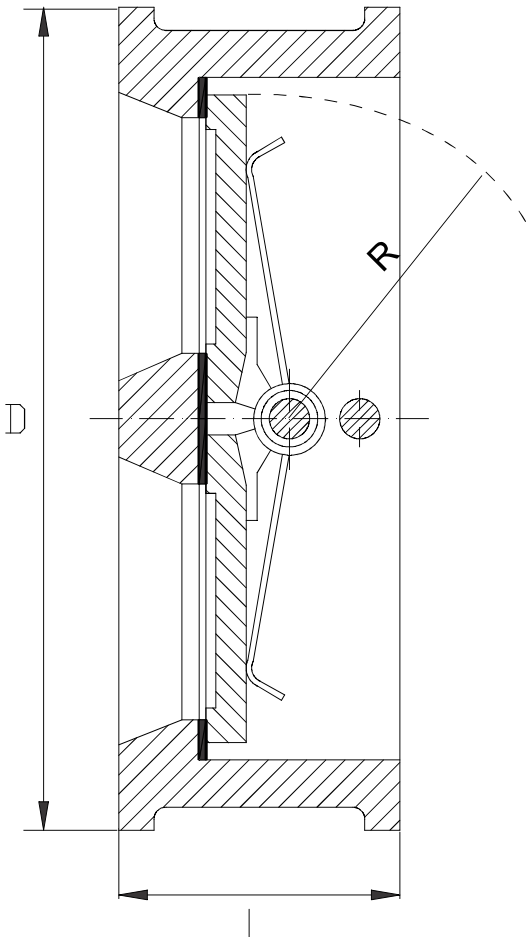




SANS PAR

CAPE TOWN
Tel: 021-5110283 - Email: info@sanspar.co.za
JOHANNESBURG
Tel: 011-3976889 - Email: jhb@sanspar.co.za
DURBAN
Tel: 031-7002485 - Email: kzn@sanspar.co.za

UNI-FLO DOUBLE DOOR WAFER CHECK VALVE PN16 FIG 301



Pressure Rating (Mpa)	PN16	PN25
Seat Test Pressure (Mpa)	1,76	2,75
Body Test Pressure (Mpa)	2,4	3,75
Suitable Temperature (°C)	NBR: -10 to +80°C	
	EPDM: -10 to +120°C	
	VITON: -10 to +150°C	
Suitable Medium	fresh water, sea water, waste water, foodstuff, steam, oil, weak acid & alkaline liquid, etc	

MATERIALS LIST

NO	PART	MATERIAL	STANDARD
1	Body*	Cast Iron	Gr450/10
		Ductile Iron	Gr450/10
		Stainless Steel	
		Steel	Gr450/10
2	Disk	Stainless Steel	LG2
		AL Bronze	LG2
		Carbon Steel	Gr431S29
3	Seat Gasket	Rubber	Gr450/10
4	Axle	Stainless Steel	
5	Spring	Stainless Steel	
6	Washer	Teflon	

*Steel or Stainless steel body can be PN25/CL150

DIMENSIONS

DN (mm)	D	L	R	CV
50	96	43	28.8	80
65	109	46	36.1	90
80	128	64	43.4	150
100	160	64	52.8	300
125	191	70	65.7	500
150	213	76	78.6	900
200	270	89	104.4	1700
250	333	114	127	3000
300	381	114	147	4000
350 *	445	127	172.4	5350
400 *	496	140	197.4	7400
450 *	555	152	217.8	10000
500 *	610	152	241	13000
600 *	720	178	295.4	24000

IMPORTANT NOTE: A* ABOVE

STANDARD OFF THE SHELF VALVES ARE SUITABLE FOR BOLTING BETWEEN BS 10 T/D ,BS4504 T/10/16 FLANGES WITH THE EXCEPTION OF 350,400,450, 500,600NB VALVES FOR USE WITH BS4504 T/10 FLANGES. FOR THESE SIZES PLEASE REFER TO SANS PAR.