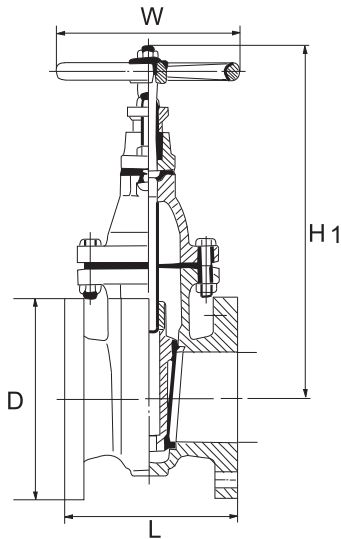




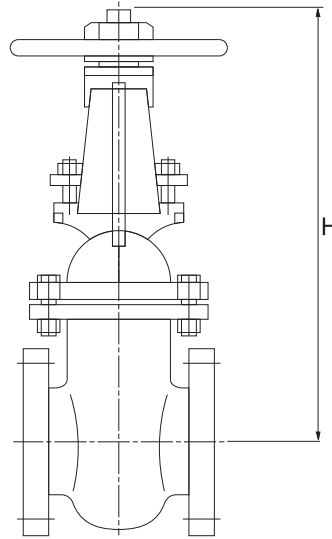
SANS PAR

CAPE TOWN
Tel: 021-5110283 - Email: info@sanspar.co.za
JOHANNESBURG
Tel: 011-3976889 - Email: jhb@sanspar.co.za
DURBAN
Tel: 031-7002485 - Email: kzn@sanspar.co.za

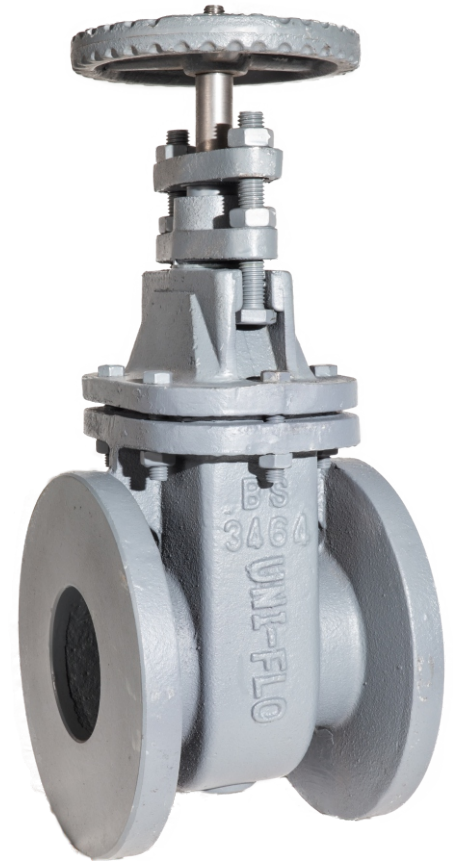
UNI-FLO CAST IRON INDUSTRIAL PATTERN GATE VALVE



**NRS
FIG 549L**



**RS
FIG 549L**



DESCRIPTION

1. This valve is designed and manufactured according to BS3464
2. Working pressure: 1.0MPa
Shell test pressure: 1.5MPa
Working Temperature: <100°C
4. Media: Water, oil
5. Flanges designed and drilled according to BS10 Table "E" or Table "D"

MATERIALS LIST

NO.	PART	MATERIAL	STANDARD
1	Body, Wedge, Gland	Cast Iron	BC1452 G220
2	Bonnet, hand wheel	Cast Iron	SB1452 G220
3	Body Seat ring	Cast brass/Cast Iron	BS2874/BS1452 G220
4	Wedge face ring	Cast brass/Cast Iron	BS2874/BS1452 G220
5	Stem nut	Cast brass	BS2874/ISO1083
6	Stem	SS/Brass/Steel	BS2874/BS2708
7	Bonnet gasket	Graphite or Rubber	
8*	Gland packing	Graphite	

DIMENSIONS

DN	L	D	H	H1	W	WEIGHT 549L	WEIGHT 549LR
50	146	165	252	315	165	14	17
65	159	185	270	345	165	17	19
80	165	200	308	392	165	20	22
100	171	220	367	483	242	28	34
125	190	250	433	569	266	39	46
150	210	285	486	630	345	51	60
200	241	340	588	777	345	79	91
250	273	405	697	909	376	136	148
300	305	460	792	1050	450	185	227