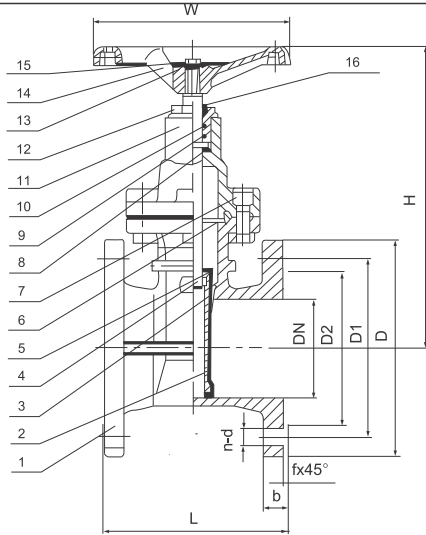




**SANS PAR**

**CAPE TOWN**  
Tel: 021-5110283 - Email: info@sanspar.co.za  
**JOHANNESBURG**  
Tel: 011-3976889 - Email: jhb@sanspar.co.za  
**DURBAN**  
Tel: 031-7002485 - Email: kzn@sanspar.co.za

## UNI-FLO RESILIENT WEDGE GATE VALVE, FIG RSV



### MATERIALS LIST

### DESCRIPTION

- Design conforms to: DIN3352, BS5163 S 1.6.1, SABS 664/665
- Flanges drilled conform to DIN2501/BS4504
- Normal pressure: 1.6MPa  
Shell test pressure: 2.4MPa  
Seal test pressure: 1.76MPa
- Suitable medium: Water and neutral liquid
- Suitable temperature: NBR < 80°C  
EPDM < 120°C

NO.	PART	MATERIAL	DIN STANDARD	BS STANDARD
1	Body	Ductile Iron	GGG40	BS2798 420/12
2	Wedge	Ductile Iron	GGG40	BS2798 420/12
3	Wedge	Rubber	EPDM/NBR	
4	Stem	Stainless Steel	X20Cr13	BS970 420S37
5	Stem Nut	Brass		BS2874 CA122
6	Gasket	Rubber	EPDM/NBR	
7	Screw	Steel	Ck45	BS970 40E
8*	Gasket	Teflon/Brass		
9	O-Ring	Rubber	EPDM/NBR	
10	Bonnet	Ductile Iron	EPDM/NBR	
11	Gland	Brass	GGG40	BS2789 420/12
12	Washer	Steel		BS2874 CZ122
13	Handwheel	Ductile Iron	Ck45	
14	Bolt	Steel	GGG40	BS2789 420/12

### DIMENSIONS

DN	L		D	D1	D2	b	f	n-d	H	W
	BS5163	SABS 664								
40	165		150	110	88	19	3	4-18	260	160
50	178	216	165	125	102	19	3	4-18	270	180
65	190		185	145	122	19	3	4-18	283	180
80	203	229	200	160	138	19	3	8-18	311	220
100	229	254	220	180	158	19	3	8-18	352	250
125	254		250	210	188	19	3	8-18	435	280
150	267	280	285	240	212	19	3	8-18	485	320
200	292	317	340	295	268	20	3	12-22	520	350
250	330	356	405	355	320	22	3	12-26	632	400
300	356	380	460	410	378	24.5	4	12-26	745	400
350	381	470	520	470	430	26.5	4	16-28	835	500
400	406	470	580	525	489	28	4	16-31	853	600
450	432	485	640	585	640	30	4	20-31	1030	630
500	457	510	715	650	609	31.5	4	20-34	1100	630
600	508	600	840	770	720	36	5	20-37	1300	630