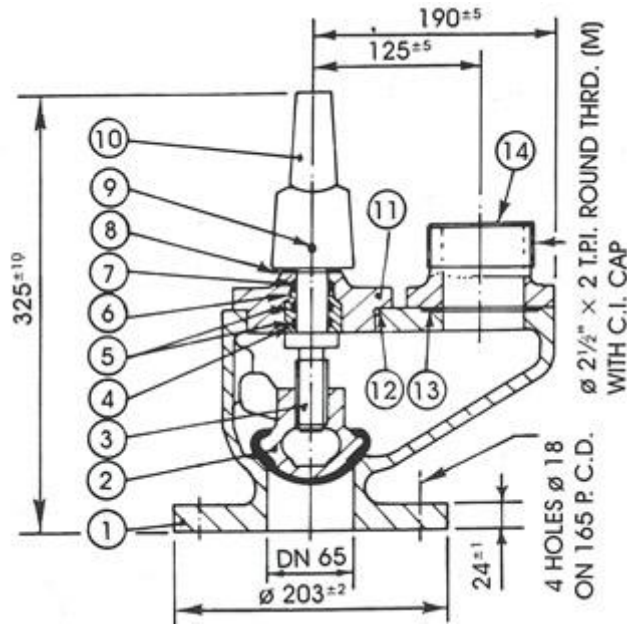




UNI-FLO C.I. FIRE HYDRANT VALVE(EPOXY POWDER COATED)



SR. NO.	DESCRIPTION	MATERIAL
1	BODY	C.I., BS : 1452 GR. 14
2	VALVE PLUG	C.I., NITRILE RUBBER COATED
3	SPINDLE	S. S. AISI - 410
4	BUSH	NYLON / NITRILE RUBBER
5	'O'RING (SPINDLE)	NITRILE RUBBER
6	PROFILE RING	NITRILE RUBBER
7	SCRAPER RING	NITRILE RUBBER
8	FRICITION RING	NYLON / NITRILE RUBBER
9	ROLL PIN	SPRING STEEL
10	TOP CAP	CAST IRON
11	GLAND HOUSING	CAST IRON
12	GASKET	RUBBER 'O' RING
13	GASKET	RUBBER 'O' RING
14	SCREWED OUTLET	GUN METAL BS : 1400 LG 2

HYDRAULIC TEST PRESSURE

BODY - 2000 kpa
SEAT - 2000 kpa