



UNI-FLO PN16 GLOBE VALVES OF CAST IRON

with stainless steel trim

Fig. AV 803
Straight
pattern
Fig. 150 L
Angle pattern

Working pressure
16 bar - 20°C
13 bar - 200°C
10 bar - 300°C

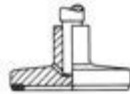
Materials

Part	Standard No.
1	Cast Iron
2	Cast Iron
3	Stainless Steel
4	Stainless Steel
5	Stainless Steel

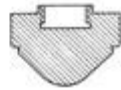


	D	15	20	25	32	40	50	65	80	100	125	150	175	200	250	300
L	130	150	160	180	200	230	290	310	350	400	480	550	600	730	850	
L1	90	95	100	105	115	125	145	155	175	200	225	250	275	325	375	
A	95	105	115	140	150	165	185	200	220	250	285	315	340	405	460	
H	184	196	214	225	248	279	324	359	404	465	520	577	665	830	945	
H1	160	165	175	185	215	235	270	290	350	410	450	590	560	740	840	
M	100	100	125	125	150	150	200	200	225	225	300	300	420	500	500	
AV 803	⌀	3,5	4,3	5,5	7,8	10,2	13,2	21	26,3	40,6	59,8	83	112	136	217	325
150 L	⌀	3,5	4,5	5,6	7,9	10,4	12,6	19,5	24	35	58	87	104	134	210	306

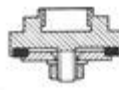
On request.



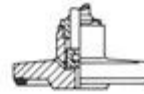
● Non-return valve (LK)



● Regulating valve (RK)



● Valve with PTFE disc (TE)



● With balanced valve

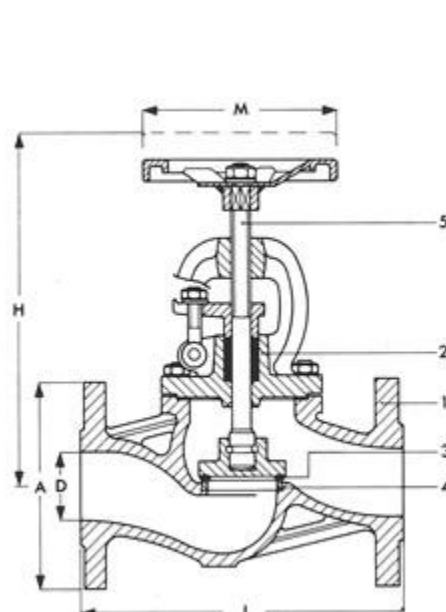


Fig. AV 803



Fig. 150 L