

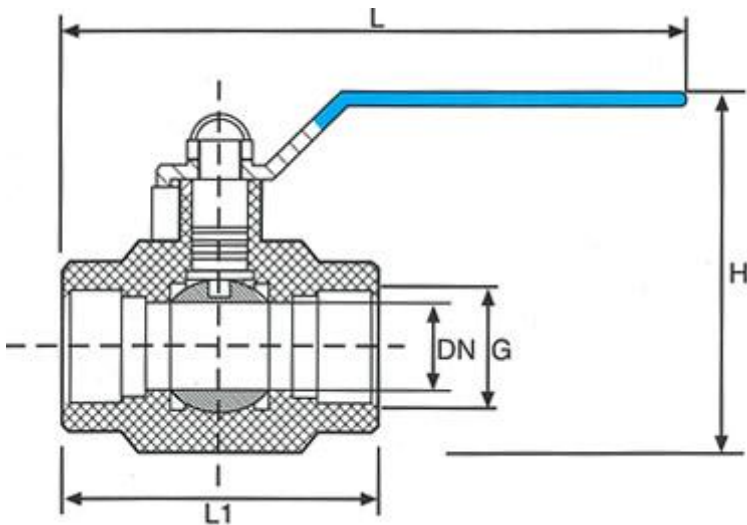


## UNI-FLO NYLON BALL VALVES

FIG. 214NS/NB

**Features:**

1. Temperatures range -30°C to +120°C
2. Pressure 1600KPA
3. PTFE Seats
4. Chrome Plated Steel or Brass Ball
5. Nickel Plated Steel or Brass Blowout Proof Stem
6. Heavy Duty Chrome Plated lever with plastic sleeve.
7. 3 x NBR O Ring seals on stem
8. One piece moulded body



Tough, versatile Uni-Flo Nylon Ball Valves are the ideal low cost solution for fluid control often replacing more expensive brass valves. The valves have chrome plated steel or brass balls with nickel plated steel or brass stems. Seats are PTFE and O rings of NBR rubber. They are ideal for water supply and irrigation as well as being resistant to hydrocarbons and many chemicals. The valves are suitable for temperatures of +30°C to +120°C and pressure of 1600KPA.

**DIMENSIONS (mm)**

G	DN	L	L1	H
1/2"	15	125	61	70
3/4"	20	1140	68	85
1"	25	155	81	100
1 1/4"	32	175	90	120
1 1/2"	40	200	104	130
2"	50	205	124	145