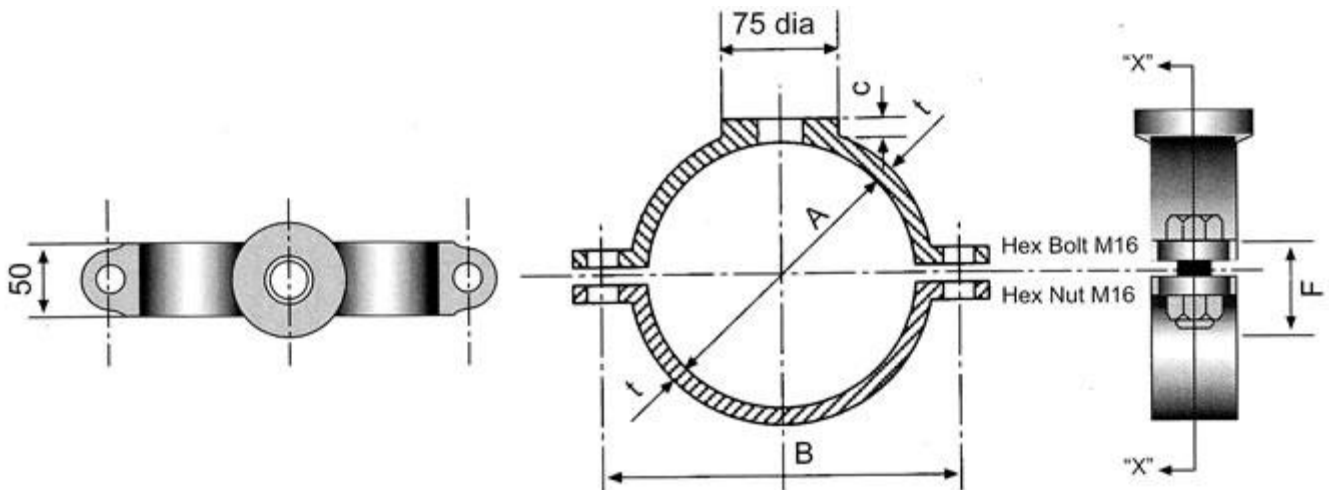




Rex Saddles for F.C. Pipe

SIZE	A	B	C	t	F	Bolt Size	Mass kg
50	76	116	13	7	65	16	1
75	102	142	13	7	65	16	1
100	128	168	13	7	65	16	2
125	157	197	13	7	65	16	2
150	183	223	13	7	65	16	3
200	238	278	13	7	75	16	4
225	271	311	13	7	75	16	5
250	293	338	13	7	75	16	7
300	352	392	13	7	75	16	2

Dimensions in mm



Rex Saddles & Straps for PVC Pipes

SIZE	A	B	C	t	F	Bolt Size	Mass kg
75	75 +	120	12	7	65	16	1
110	110 +	155	12	7	65	16	1
160	160 +	208	12	7	65	16	3
200	200 +	282	15	7	75	16	4
250	250 +	310	15	7	75	16	7
315	315 +	381	15	7	75	16	10

Dimensions in mm